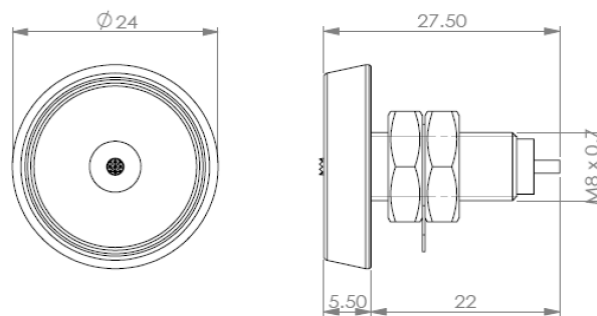


iButton Reader Head



Feature:

- 1-Wire protocol ensure compatibility with iButton family
- Economically communicates to bus master
- Used for mechanically holding and electrically contacting
- Allows multiple Serial Number iButtons to reside on a common bus
- Unique serial number. assures absolute traceability because no two parts are alike
- Low cost electronic key for access control
- Durable stainless steel case withstands harsh environments
- Presence detector acknowledges when reader first applies voltage
- The iButton Reader is used for mechanically holding and electrically contacting to electronic keys.
- The mechanical holding results by strong permanent magnets.
- These magnets build a closed magnetic loop together with the magnetic ring from the electronic key.
- Operating Temperature : -40°C to +85°C
- Be applicate in electronically controlled beverage systems, electronic cashier systems, door-locking systems, hand-held data processing systems, personal computers...

Electrical connections:

- spring contact : data-wire (DATA) Gray Cable:22AWG 180mm
- case contact : 0V (GROUND) Black Cable:22AWG 180mm